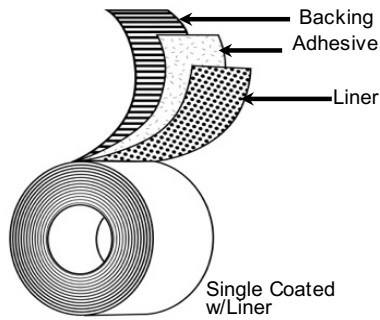


Heavy-Duty Surface Protection Tape



Backing:	Interior-Grade Aromatic Polyurethane
Adhesive:	Urethane (U510)
Liner:	94# Coated Kraft Paper
Colors:	Transparent
Specifications:	N/A
Size Options:	Incremental sizes 1/4" - 48" x 108Ft

Applications

- Heavy-duty, short- or long-term surface protection
- Anti-squeak, vibration, and sound damping for marine and automotive OEM
- Protective film for shot peening in metal cleaning operations
- Surface protection for air foil and ground effects panels on racing cars and trucks

Features

- Polyurethane Film Backing
- Urethane-based Adhesive
- Kraft Paper Release Liner

Benefits

- Highly elastic and very tough
- Abrasion resistant
- Extra thick for stay-flat and dimensional stability
- Conformable for curves and irregular surfaces
- Transparent for easy inspection
- Repositionable and easy to apply
- Excellent high and low temperature performance
- Smooth clean release - easy to use
- Die cuttable

Typical Test Values

	Standard UOM		Metric UOM		Test Method
Total Thickness	9.4	mils	0.239	mm	PSTC-133
Substrate Thickness	7.0	mils	0.178	mm	PSTC-133
Adhesion to Steel	45	oz/in	4.92	N/cm	ASTM D-3330
Tensile Strength	70	lb/in	122.59	N/cm	ASTM D-3759
Elongation	600%				
Abrasion/Wear Index	0.98				ASTM D-4060
Application Temperature	50 to 120 °F		10 to 49 °C		
Operating Temperature	-45 to 250 °F		-43 to 121 °C		

Recommended Storage Conditions: 40-60% Humidity, 60 - 80 °F
Standard Shelf Life (at 25 °C): 12 months from shipment date

The information presented herein was prepared at BERRY GLOBAL, INC. (25 Forge Parkway Franklin, MA 02038) by qualified technical personnel. To BERRY GLOBAL'S knowledge it is true and accurate. However, the information and recommendations are furnished for these products with the understanding that the purchaser or user, as the case may be, will independently determine that the product is suitable for the intended use, and that such use complies with all applicable federal, state and local laws and regulations. The data are submitted only for the user's information and consideration, and do not constitute a warranty of any kind (including but not limited to a warranty of merchantability or of fitness for a particular purpose), or a representation for which BERRY assumes any legal responsibility.