

The 3M™ VHB™ Tape 47700 Series

Enable stiffer and thinner designs



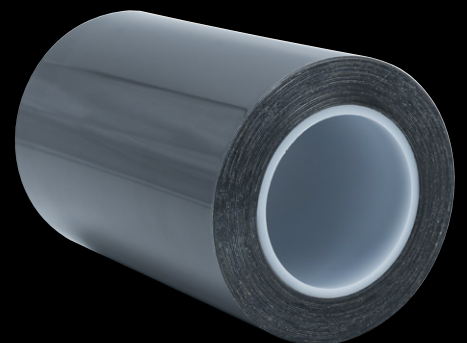
Impact
Resistant



Reduced
Tensile Creep



Dimensional
Stability



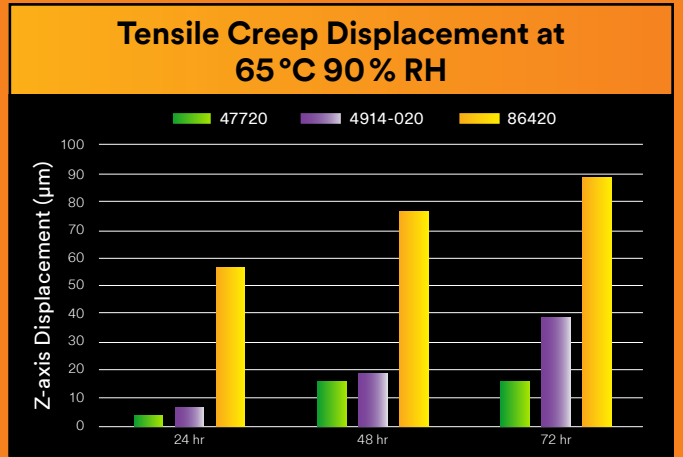
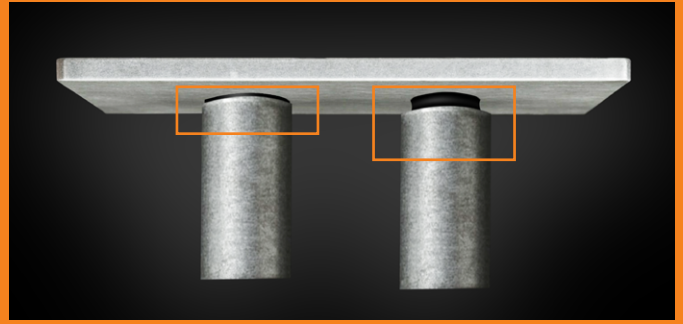


Reduced Tensile Creep

With high cohesive strength, there is 60% greater creep resistance than 4914 and 80% greater creep resistance than 86420, ensuring that the device retains its shape and functionality over time, even when exposed to challenging conditions like high temperatures or humidity.

Watch Video

Dive into our informative video showcasing the superior performance of 3M™ VHB™ Tape 47700 in a tensile creep test. Watch as we compare it against other products.



Improved Dimensional Stability

4-Point Bend: The new 3M™ VHB™ Tape 47700 Series boasts enhanced structural integrity, as demonstrated by the 4-point bend test. This advancement highlights the device's superior flexural strength, providing OEMs with a compelling assurance of its resilience against bending forces.

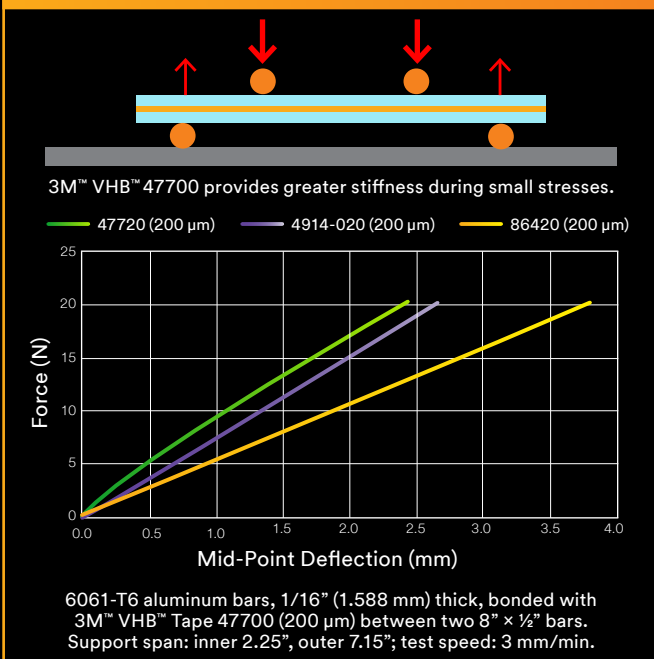


Enhanced Impact Resistance

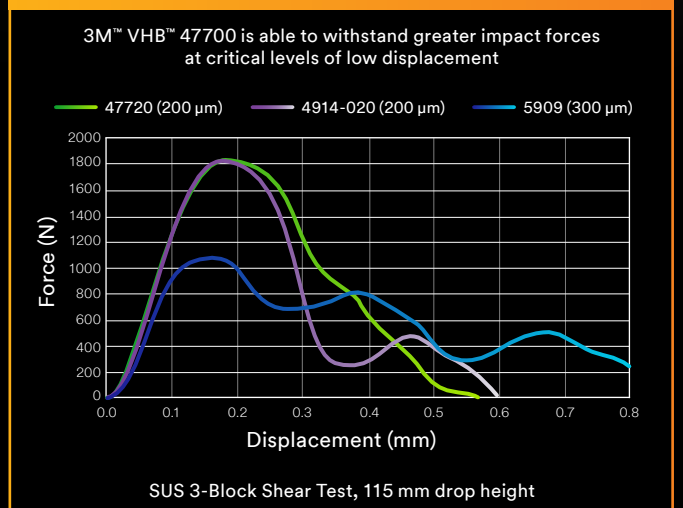
Shear impact: Impact resistance in smart-phones is crucial to enhance durability and longevity, minimizing damage from accidental drops or collisions.



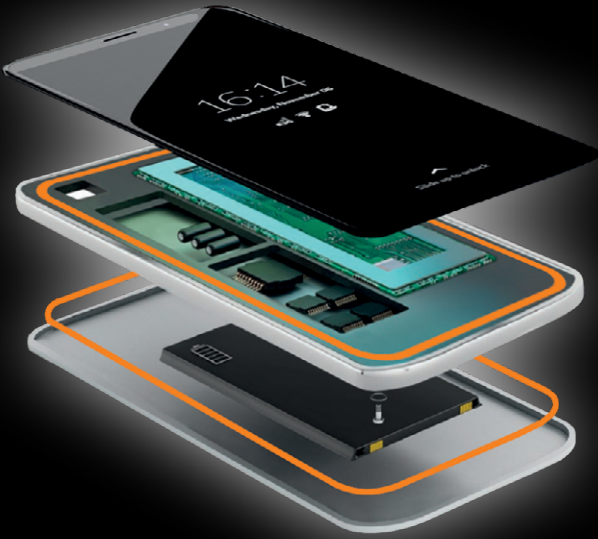
200 µm VHB Tape 4-Point Bend Testing



Shear Impact Behavioral Curves



Bonding Applications



Display Bonding

Ensures screen stability and prevents deformation for flawless displays.

Back cover Bonding

Provides strong adhesion to protect devices from impacts and drops.

Component Bonding

Offers reliable adhesion and environmental resistance for camera modules.



Product	CN SKU	SAP SKU	Color	Dimensions
3M™ VHB™ Tape 47715	XP003858816	7100384039	Dark gray	600 mm x 100 mm
3M™ VHB™ Tape 47720	XP003858824	7100385996	Dark gray	600 mm x 100 mm

Product Selection and Use: Many factors beyond 3M's control and uniquely within user's knowledge and control can affect the use and performance of a 3M product in a particular application. As a result, customer is solely responsible for evaluating the product and determining whether it is appropriate and suitable for customer's application, including conducting a workplace hazard assessment and reviewing all applicable regulations and standards (e.g., OSHA, ANSI, etc.). Failure to properly evaluate, select, and use a 3M product in accordance with all applicable instructions and with appropriate safety equipment, or to meet all applicable safety regulations, may result in injury, sickness, death, and/or harm to property

Warranty, Limited Remedy, and Disclaimer: Unless a different warranty is specifically stated on the applicable 3M product packaging or product literature (in which case such warranty governs), 3M warrants that each 3M product meets the applicable 3M product specification at the time 3M ships the product. 3M MAKES NO OTHER WARRANTIES OR CONDITIONS, EXPRESS OR IMPLIED, INCLUDING, BUT NOT LIMITED TO, ANY IMPLIED WARRANTY OR CONDITION OF MERCHANTABILITY, FITNESS FOR A PARTICULAR PURPOSE, OR ARISING OUT OF A COURSE OF DEALING, CUSTOM, OR USAGE OF TRADE. If a 3M product does not conform to this warranty, then the sole and exclusive remedy is, at 3M's option, replacement or repair of the 3M product or refund of the purchase price. Warranty claims must be made within one (1) year from the date of 3M's shipment.

Limitation of Liability: Except for the limited remedy stated above, and except to the extent prohibited by applicable law, 3M will not be liable for any loss or damage arising from or related to the 3M product, whether direct, indirect, special, incidental, or consequential (including, but not limited to, lost profits or business opportunity), regardless of the legal or equitable theory asserted, including, but not limited to, warranty, contract, negligence, or strict liability.

3M and VHB are trademarks of the 3M company. © 3M 2025. All Rights Reserved.



Electronics Device Bonding
 3M Center, Building 225-3S-06
 St. Paul, MN 55144-1000
 Phone 800-326-3550
 Web 3M.com/electronicbonding

Contact us to see the product in action.



For more information or to request samples, please contact our technical support team at: [3M.com/electronicbonding](https://www.3m.com/electronicbonding)